

HP

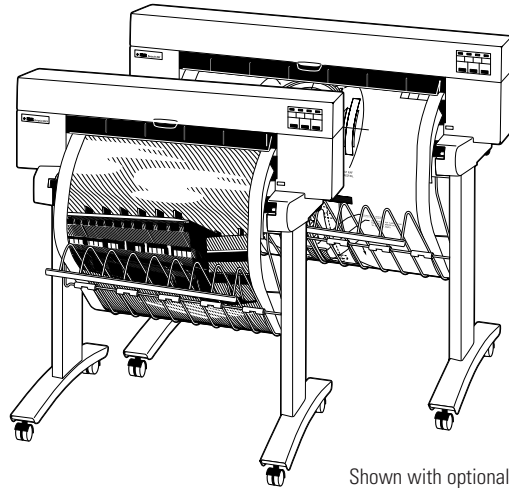
DesignJet

400 Series Printers

Affordable, personal printers

Highlights

- Ideal for line drawings, presentations, signs, and comps, providing maximum flexibility for all kinds of jobs
- Superior line quality and superior graphics for maps, renders and images, with 600-dpi addressable black and 300-dpi colour resolution
- Fast enough to give you quick turnaround and accommodate deadline workloads; prints D/A1-size black line drawings in less than 1.5 minutes (Fast mode), colour line drawings in about 4 minutes (Normal mode) and colour images in about 18 minutes (Best mode)*
- Flexible enough to fit into any office, with tabletop design and optional legs kit
- Convenient and easy to use with features such as rollfeed and automatic cutter, easy single-sheet loading, and simple front panel
- Accepts a wide variety of media to handle check plots, final output, presentations, overlays, and archiving
- HP-developed AutoCAD™ and Microsoft® Windows® drivers take full advantage of printer features
- HP ZoomSmart scaling technology for easy, large-format printing from any Windows application
- Genuine HP languages – the industry standards – for compatibility with virtually all major applications
- Traditional HP quality and reliability for consistent, dependable performance – backed by a one-year warranty with free on-site service



Shown with optional legs

HP DesignJet 455CA Printer

- C4716A (E/A0-size model)
- C4715A (D/A1-size model)
- Affordable, personal colour printer with software RIP providing PostScript® language compatibility for Macintosh
- Ideal for design professionals, providing increased printing options and in-house control
- Rollfeed and automatic cutter standard
- HP JetDirect EX Plus external network interface for Ethernet connectivity

HP DesignJet 450C and 430 Printers

- HP DesignJet 450C printer:
 - Personal colour printer
 - C4716A (E/A0-size model)
 - C4715A (D/A1-size model)
- HP DesignJet 430 printer:
 - Personal black-only printer
 - C4714A (E/A0-size model)
 - C4713A (D/A1-size model)
- Optional rollfeed and automatic cutter
- Optional HP JetDirect EX Plus and EX3 Plus external network interfaces
- Optional colour upgrade kit for the HP DesignJet 430 printer

* Print time specifications quoted are on coated paper, using Windows driver. Line drawing: Cadalyst 4775, Images: Full coverage A1-size. All specifications subject to change without notice.

HP DesignJet 455CA, 450C and 430 Printers

Specifications

Print Technology	
HP DesignJet 455CA and 450C	Colour inkjet (4 cartridges – black, cyan, magenta, yellow)
HP DesignJet 430	Monochrome inkjet (1 black cartridge)
Print Time (D/A1 size)	
Black lines	1.5 minutes (Fast mode)
Colour lines	4 minutes (Normal mode)
Colour images	18 minutes (Best mode)
Maximum Resolution	
Black	600-dpi addressable
Colour	300-dpi
Media Types	
	HP Bright White Inkjet Paper, bond, coated, tracing, glossy papers and films, vellum, clear and matte film, translucent bond (black only)
Media Handling	
HP DesignJet 455CA	Standard: sheetfeed and rollfeed/auto cutter
HP DesignJet 450C and 430	Standard: sheetfeed Optional: rollfeed/auto cutter
Media Sizes	
A1 models	A4- A1 (A-D) sheets; A1/D rolls optional
A0 models	A4- A0 (A-E) sheets; A0/E rolls optional
Long-Axis Plotting	
	Sheet: 1.625 m Roll: 15.2 m
Memory	
	Standard: 4 MB Maximum: 36 MB
Languages	
HP DesignJet 450C/430/455CA	HP-GL/2, HP-GL, HP RTL
HP DesignJet 455CA only	PostScript level 2™ via driver-like software RIP for Macintosh
Drivers	
AutoCAD	R14 (Windows 95/98, NT 4.0), R13 (Windows 3.1, 95, NT 3.51, 4.0), R12 (Windows 3.1, 95), R13, R12, R11, R10 (DOS)
Windows	Windows 3.1, 95/98 and NT 3.51, 4.0
Interfaces	
HP DesignJet 450C/430/455CA	Standard: IEEE-1284 compatible, RS-232-C
HP DesignJet 450C/430	Optional: HP JetDirect EX Plus and EX Plus3 external network interfaces
HP DesignJet 455CA only	Standard: HP JetDirect EX Plus external network interface (Ethernet)
Warranty	
	One-year on-site

Physical Characteristics

Width x Depth x Height*	D/A1 models: 1031 x 231 x 332 mm	E/A0 models: 1329 x 231 x 332 mm
Weight		
HP DesignJet 450C and 430*	D/A1 models: 26 kg	E/A0 models: 31 kg
HP DesignJet 455CA**	D/A1 models: 28 kg	E/A0 models: 34 kg

Operating Environment

Temperature	Operating, optimal: 15°C – 35°C; Storage: -40°C – 70°C
Relative Humidity	Operating: 20% to 80%
Power Requirements	Source 100-240 V AC±10%; Frequency 50-60Hz
Power Consumption	140 watts maximum
Acoustics	(Per ISO DP 7779 standard) Printing Idle
	Sound Pressure Level*** 50dB (A) <20 dB (A)
	Sound Power Level 6.7 Bels (A) <3.6 Bels (A)

Regulatory Approvals

Electromagnetic Compatibility	Compliant with EU EMC directive, USA FCC Rules, Australia ACA, New Zealand MoC, Canada DoC and China requirements for Class B Products (Class A when connected to LANs). Japan VCCI registered. Korea RRL and Taiwan BCIQ Certified.
Safety	IEC 950 compliant. Safety UL listed, EU LVD & EN 60950 compliant. NEMKO approved. Certified by Canada CSA, Mexico NOM-1-NYCE, Czech republic EZU, Singapore PSB, Russia GOST, Poland PCBC, China CCIB.
Environmental	US EPA Energy Star compliant

* Does not include optional rollfeed and legs kit. ** Does not include optional legs kit.

*** Typical emissions at 1-metre bystander position.

Ordering Information

	HP P/N
HP DesignJet 455CA printer:	
D/A1-size model	C6080A
E/A0-size model	C6081A
HP DesignJet 450C printer:	
D/A1-size model	C4715A
E/A0-size model	C4716A
HP DesignJet 430 printer:	
D/A1-size model	C4713A
E/A0-size model	C4714A

The above units come with print cartridges (one black; the HP DesignJet 450C and 455CA also come with one each of cyan, magenta, yellow); Microsoft Windows and AutoCAD drivers, media sample, user documentation and a power cord. The HP DesignJet 455CA printer also includes HP JetDirect EX Plus external network interface, RIP software for Macintosh and parallel cable. Interface cables must be ordered separately.

Supplies

HP print cartridges:	
Black	51640A
Cyan	51644C
Magenta	51644M
Yellow	51644Y

Accessories

Rollfeed kit for HP DesignJet 450C and 430:	
D/A1-size models	C4717A
E/A0-size models	C4719A
Spindle:	
D/A1-size models	C6238A
E/A0-size models	C6239A
Legs Kit:	
D/A1-size models	C6069A
E/A0-size models	C6070A
Colour upgrade kit for HP DesignJet 430	C4178A
HP memory expansion modules:	
16 MB SIMM	C6231A
32 MB SIMM	C6232A
Cleaning Kit	C6247A

HP DESIGNJET
HELPING
the WORLD
make a



As an ENERGY STARS™ Partner, Hewlett-Packard Company has determined that this product meets ENERGY STARS™ guidelines for energy efficiency.

Visit the HP DesignJet website at
<http://www.hp.com/go/designjet>

AutoCAD is a U.S. trademark of Autodesk, Inc. Microsoft and Windows are registered trademarks of Microsoft Corporation in the United States. Adobe and PostScript are trademarks of Adobe Systems, Inc. which may be registered in certain jurisdictions. Technical information in this document is subject to change without notice.